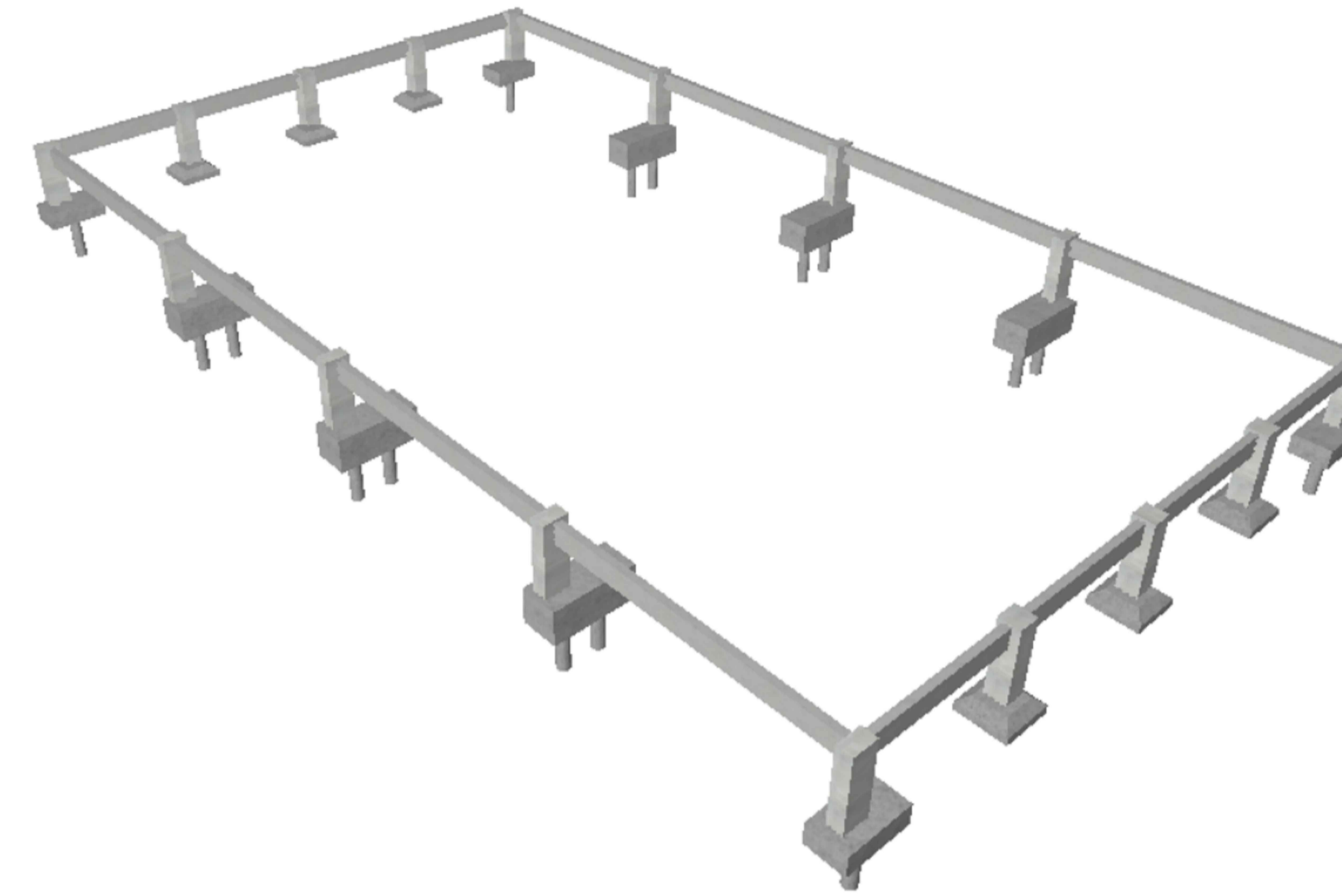


1 PLANTA LOCAÇÃO DOS PILARETES FUNDAÇÃO
ESC: 1/100



6 IMAGEM 3D DA FUNDAÇÃO SEM/ESC

Elemento	Pos	Diam	Q.	Esquema (cm)	Comp (cm)	Total (cm)	CA-50 (kg)	CA-6 (kg)	
P1=P5	1	Ø12.5	6	148	148	888	8.6		
	2	Ø6.3	10	25	149	1490	3.6		
	3	Ø6.3	10	25	37	370	0.9		
	4	Ø12.5	6	135	165	990	9.5		
	5	Ø6.3	3	22	139	417	1.0		
Total (+10% x2)							26.0	52.0	
							Ø6.3	12.2	0.0
							Ø12.5	39.8	0.0
Total							52.0	0.0	

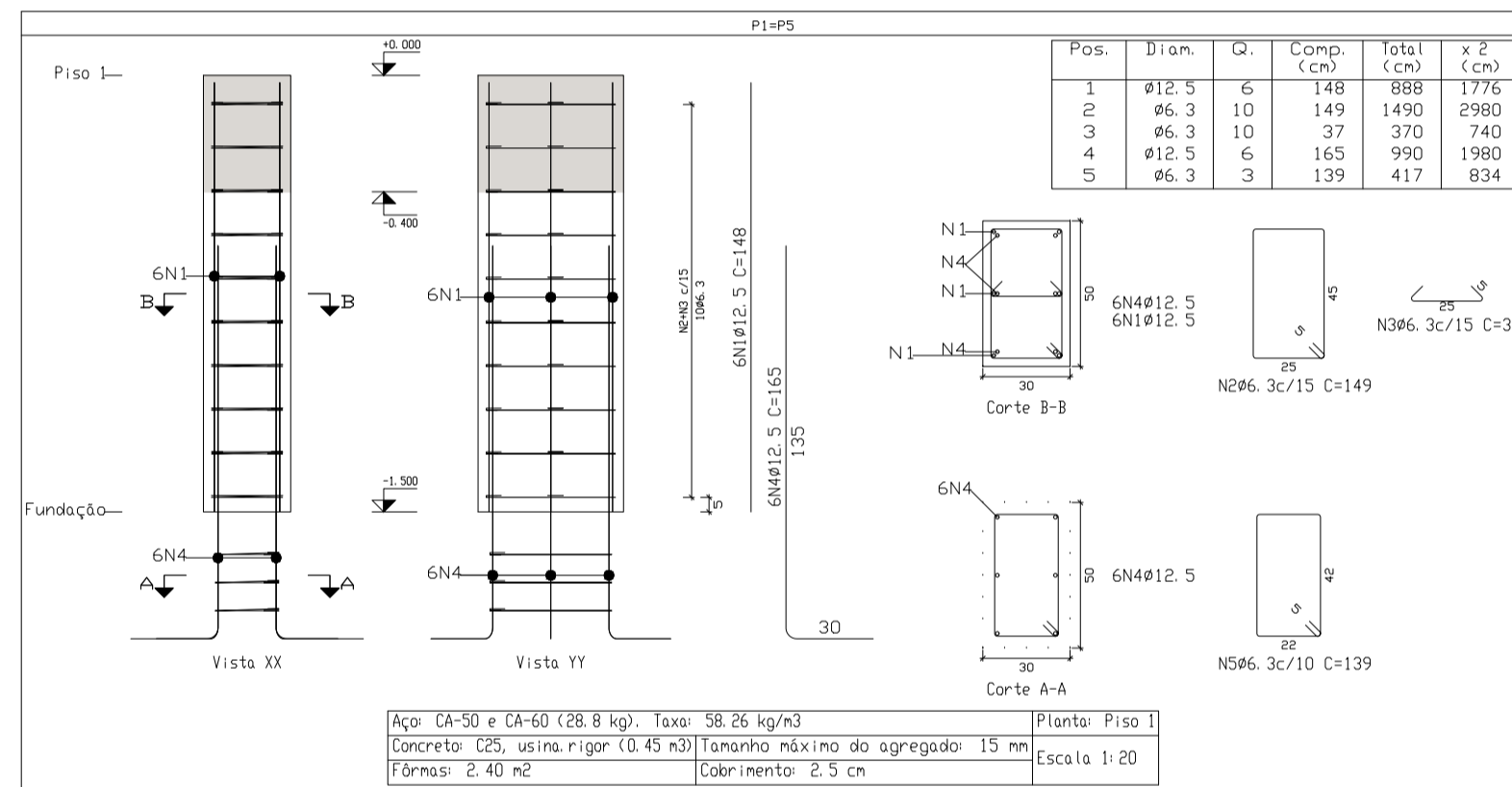
Elemento	Pos	Diam	Q.	Esquema (cm)	Comp (cm)	Total (cm)	CA-50 (kg)	CA-6 (kg)	
P2=P3=P4	1	Ø12.5	6	148	148	888	8.6		
	2	Ø6.3	10	25	149	1490	3.6		
	3	Ø6.3	10	25	37	370	0.9		
	4	Ø12.5	6	130	160	960	9.2		
	5	Ø6.3	3	22	139	417	1.0		
Total (+10% x3)							25.6	76.8	
							Ø6.3	18.0	0.0
							Ø12.5	58.8	0.0
Total							76.8	0.0	

Elemento	Pos	Diam	Q.	Esquema (cm)	Comp (cm)	Total (cm)	CA-50 (kg)	CA-6 (kg)	
P12=P13=P14=P15 P16	1	Ø12.5	6	148	148	888	8.6		
	2	Ø6.3	10	25	149	1490	3.6		
	3	Ø6.3	10	25	37	370	0.9		
	4	Ø12.5	6	155	185	1110	10.7		
	5	Ø6.3	3	22	139	417	1.0		
Total (+10% x5)							27.3	136.5	
							Ø6.3	30.5	0.0
							Ø12.5	106.0	0.0
Total							136.5	0.0	

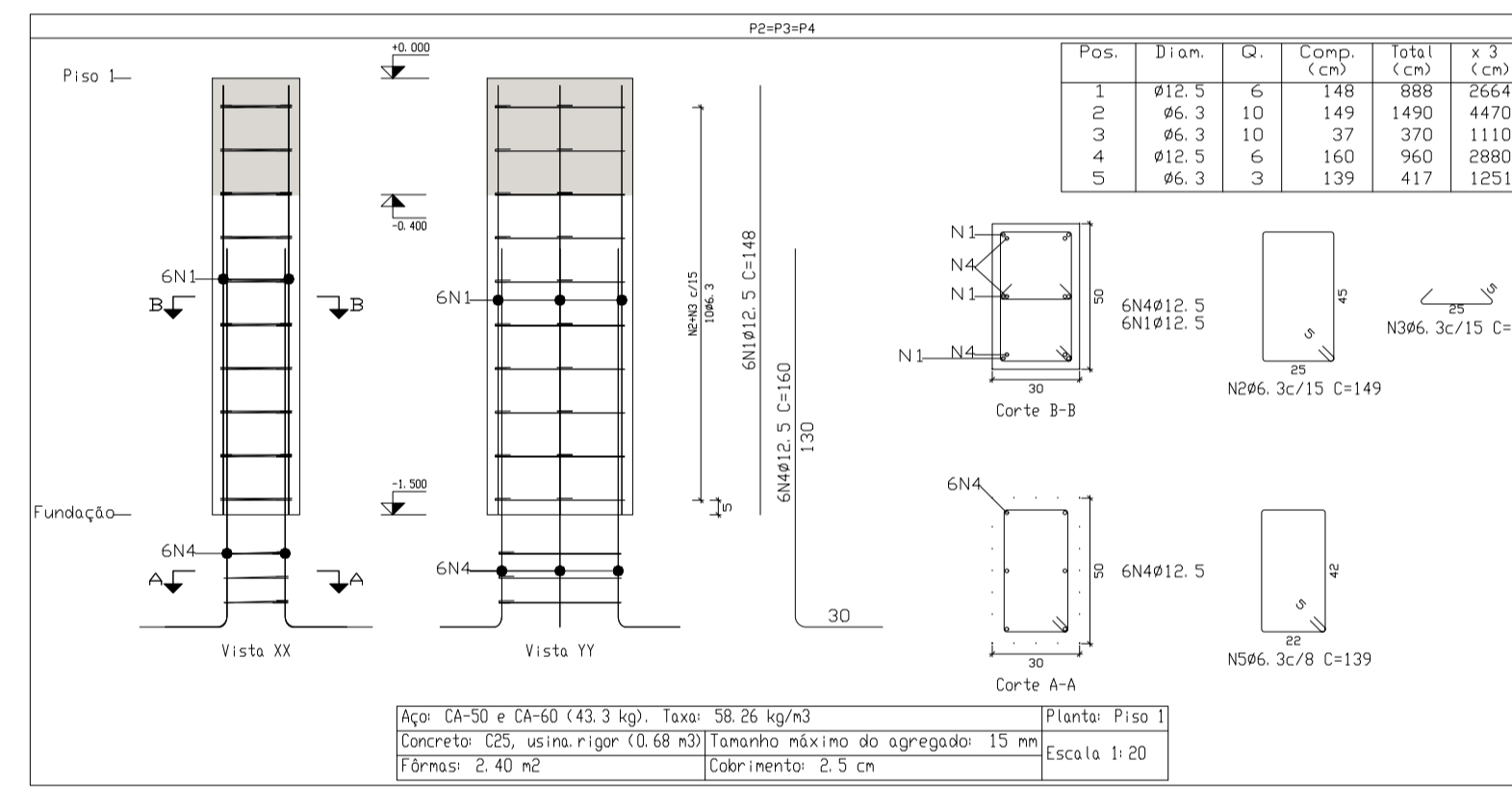
Elemento	Pos	Diam	Q.	Esquema (cm)	Comp (cm)	Total (cm)	CA-50 (kg)	CA-6 (kg)	
P06=P07	1	Ø12.5	4	148	148	592	5.7		
	2	Ø6.3	10	25	109	1090	2.7		
	3	Ø12.5	4	135	165	660	6.4		
	4	Ø6.3	3	23	102	306	0.7		
Total (+10% x2)							17.1	34.2	
							Ø6.3	7.6	0.0
							Ø12.5	26.6	0.0
Total							34.2	0.0	

Elemento	Pos	Diam	Q.	Esquema (cm)	Comp (cm)	Total (cm)	CA-50 (kg)	CA-6 (kg)	
P08=P09=P10=P11	1	Ø12.5	4	148	148	592	5.7		
	2	Ø6.3	10	25	109	1090	2.7		
	3	Ø12.5	4	115	145	580	5.6		
	4	Ø6.3	3	23	102	306	0.7		
Total (+10% x4)							16.2	64.8	
							Ø6.3	15.2	0.0
							Ø12.5	49.6	0.0
Total							64.8	0.0	

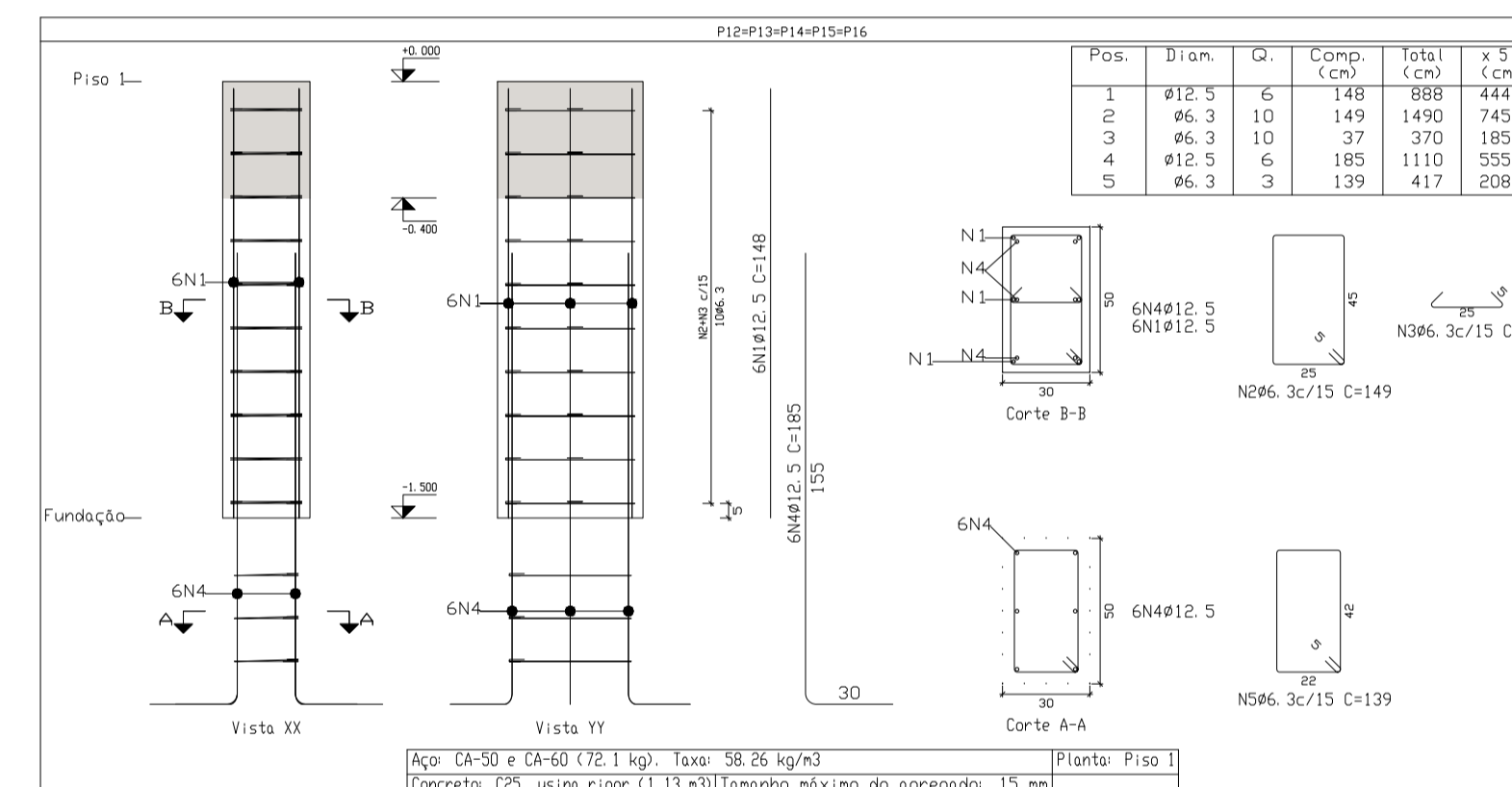
Elemento	Pos	Diam	Q.	Esquema (cm)	Comp (cm)	Total (cm)	CA-50 (kg)	CA-6 (kg)	
P6=P7=P8	1	Ø12.5	4	147	147	660	6.4		
	2	Ø6.3	10	25	109	1090	2.7		
	3	Ø12.5	4	90	120	480	4.6		
	4	Ø6.3	3	23	102	306	0.7		
Total (+10% x3)							15.8	47.4	
							Ø6.3	11.1	0.0
							Ø12.5	36.3	0.0
Total							47.4	0.0	



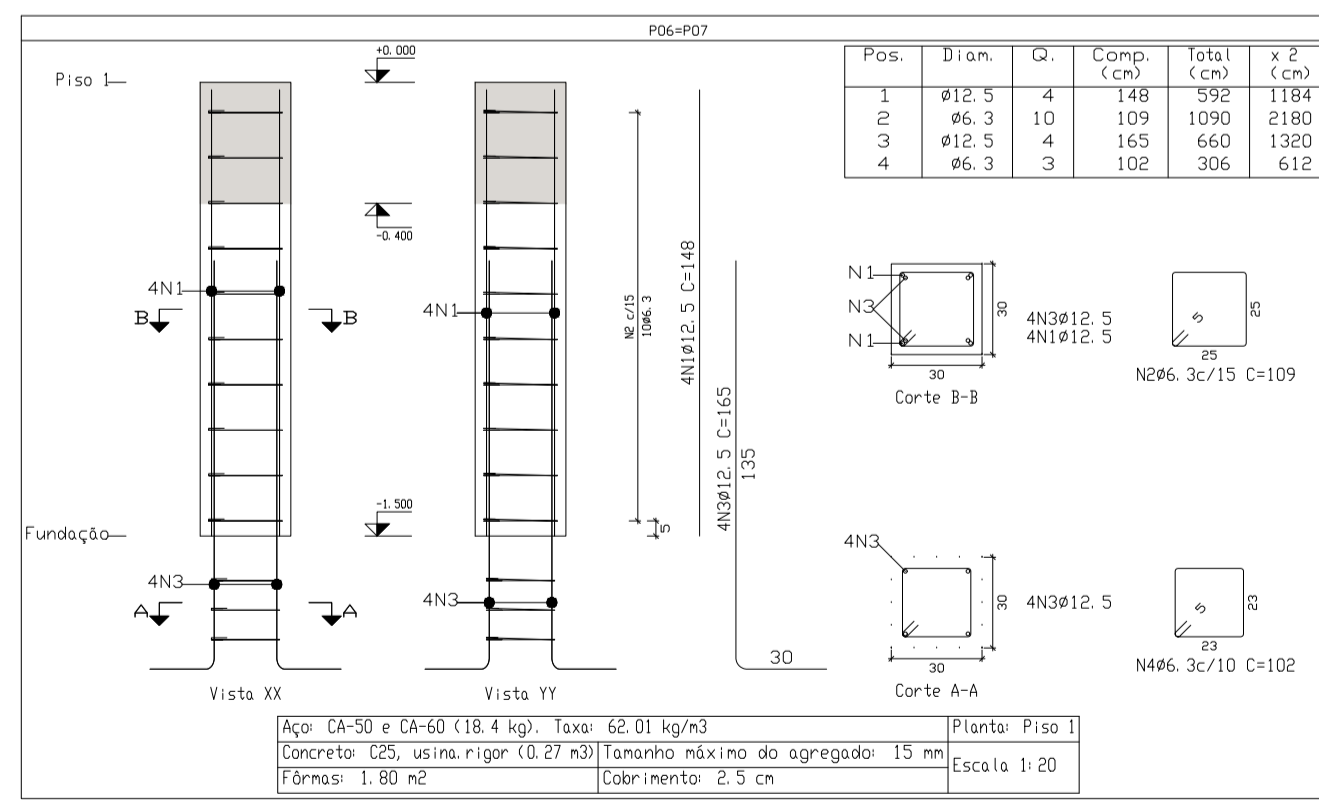
2 DETALHAMENTO DOS PILARETES
ESC: 1/25



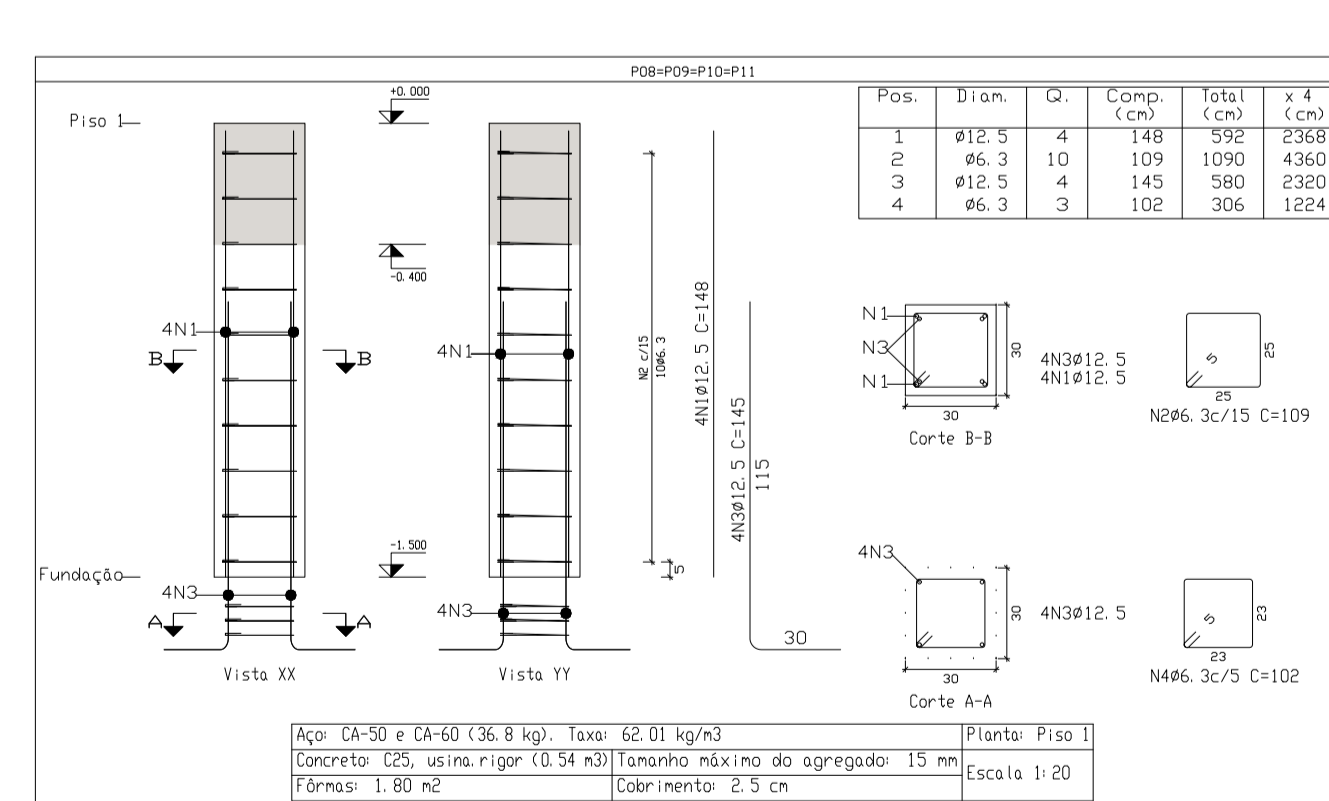
3 DETALHAMENTO DOS PILARETES
ESC: 1/25



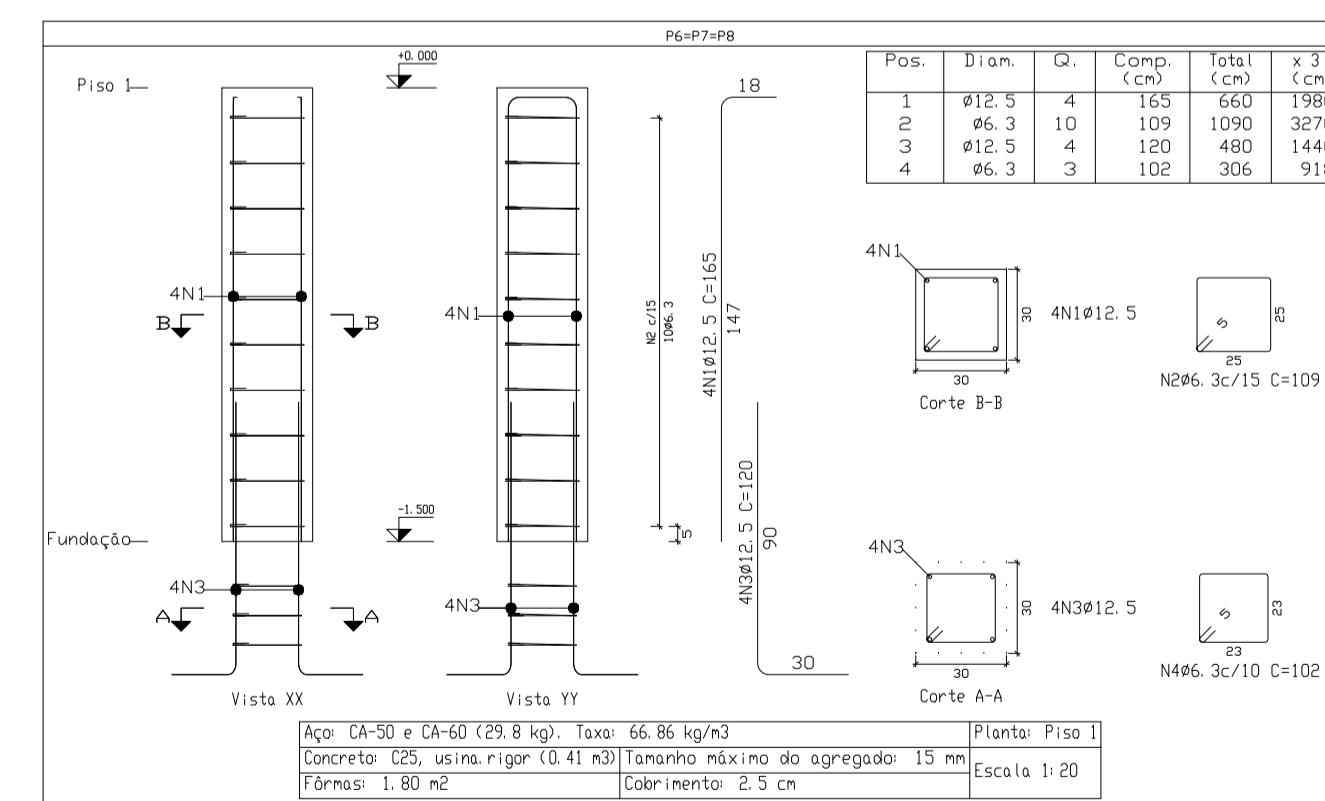
4 DETALHAMENTO DOS PILARETES
ESC: 1/25



5 DETALHAMENTO DOS PILARETES
ESC: 1/25



6 DETALHAMENTO DOS PILARETES
ESC: 1/25



7 DETALHAMENTO DOS PILARETES
ESC: 1/25